

# Gusher Titan

## Tough and Lightweight Polypropylene Models

Combines powerful performance and lightweight design



Thru deck/Bulkhead  
BP4410



On deck  
BP4402

Proven design  
- tough yet lightweight



Easy to use  
ball handle



Multiple installation  
- removable clamping ring  
for head rotation

Simple plumbing  
- 38 mm (1½")  
smooth hose connections

# Whale's Tough Lightweight Proven Pump - Tried tested and trusted by sailors for decades

- High flow rate: 105 ltrs (28 US gals) per minute
- Quick maintenance
  - Clamping ring is easily removed for pump head rotation
- Tough, lightweight proven design
- 2 mounting options - bulkhead and thru deck models
- Suitable for use on boats over 12 m (40 ft)

## 5 Year Warranty

### Tips

It is important to ensure that a vented anti-syphon loop is incorporated in the system

## Awards and Accreditations

- Suitable as a primary bilge pump on boats equal to or greater than 12 m (40 ft) accordance with ISO15083

## COMPLETE YOUR SYSTEM

bilge accessories including non-return valves, elbows and Y pieces see page 40 - 43



## Product Information

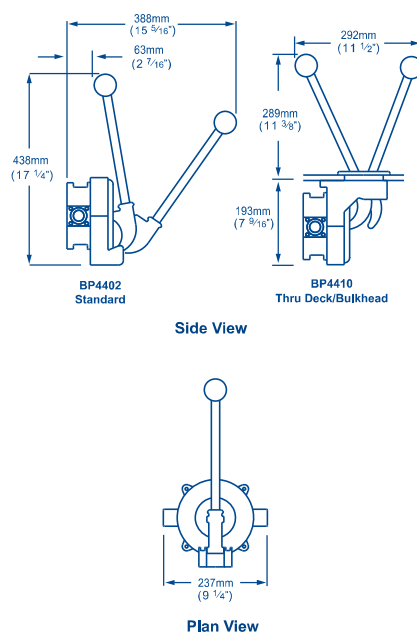
### Model Specifications

Model	On Deck	Thru Deck / Bulkhead
<b>Product Code</b>	<b>BP4402</b>	<b>BP4410</b>
Weight	1,5 kg (3.3 lbs)	1,85 kg (4,1 lbs)
Hose Connections	38 mm (1½") Smooth Hose Connections	
Materials	Pump Body: Glass-filled Polypropylene, Clamp Ring: Acetal Diaphragm and Valves: Neoprene, (Nitrile® option available) Operating Lever: Glass-filled Nylon, Gaiter: EPDM Fasteners: Stainless Steel	
Materials In Contact With Fluid	Glass-filled Polypropylene, Acetal, Neoprene, Nitrile®	
<b>Service Kits</b>	<b>AK4400 - Neoprene Parts</b> <b>AK4419 - Nitrile® Parts for Oil and Diesel</b> Contains: Diaphragm, Valves, Seals <b>AK4400 - Whale Gusher Titan Neoprene</b> (for on deck installations) - diaphragm, valves and fixings <b>AK4419 - Whale Gusher Titan Nitrile®</b> (for below deck installations) - diaphragm, valves and fixings <b>AS4406 - Whale Gusher Titan - Standard Lever Kit</b> <b>AS4407 - Whale Gusher Titan - Standard Clamping Ring Kit</b> <b>AS4408 - Whale Gusher Titan- Operating Lever U/Deck</b> <b>AS4409 - Whale Gusher Titan - UnderDeck Clamping Ring Kit</b> <b>AS4412 - Whale Gusher Titan - Clamping Plate Kit</b> <b>AS3725 - Gaiter Kit For Deckplates</b> (for underdeck models - Gusher 30 and 10, Titan, Urchin, MarkV)	
<b>Accessories</b>	<b>DP8904 - Deck Plate Kit for BP4410 only</b> <b>AS4405 - Spare Handle</b>	
Maximum Suction Lift	4 m (13.5 ft)	
Maximum Discharge Head	4 m (13.5 ft)	

### Performance Data

Product Code	BP4402 / BP4410	BP4402 / BP4410
Suction Lift	1 m (3 ft)	2 m (6 ft)
Discharge Head	0,5 m (1,5 ft)	0,5 m (1,5 ft)
45 Strokes per Minute	67 ltrs (18 US gals)	65 ltrs (17 US gals)
70 Strokes per Minute	105 ltrs (28 US gals)	98 ltrs (26 US gals)

Note: These specifications are retail items only.  
For details of our bulk pack range for boat builders and wholesalers - contact Whale Support.



Skin fitting 38mm (1½")SF5425

