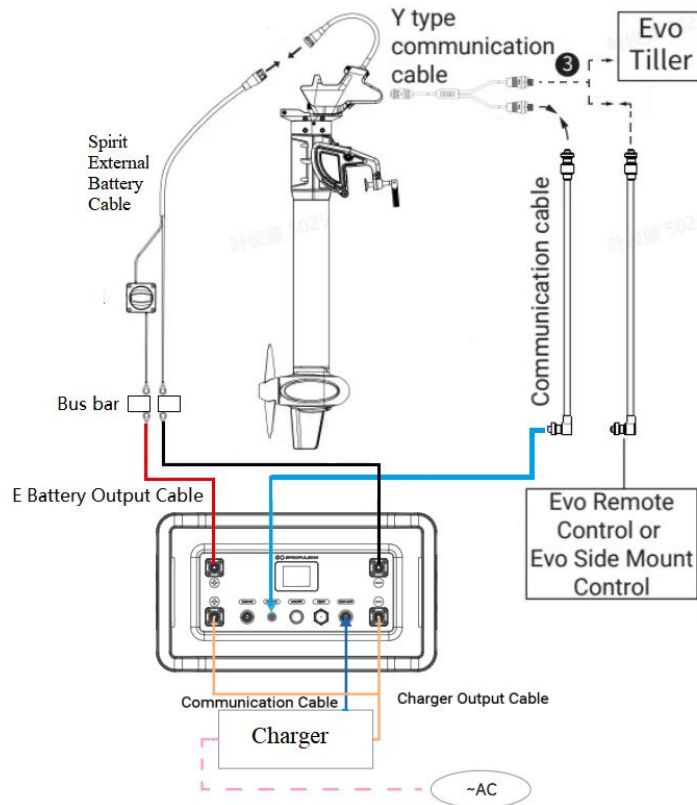


# Evo Product System Set-up

## New E-battery(E60/E163) connection

Spirit 1.0 Evo single motor+single battery+Evo remote control/Evo tiller/Side mount control+E battery charger



Standard:

Spirit 1.0 Evo Motor (1 pcs)

Purchase separately:

E series battery (1 pcs)

Spirit External Battery Cable 1.5m(1 pcs)(Product No.:00-0601-08)

Bus Bar(2 pcs)(Product No.:To be updated)

E Battery Output Cable 1.5m(1 set)(Product No.:EB-CP04-00)(1 set consists of two cables, Positive & Negative)

Y Type Communication Cable(1 pcs)(Product No.:00-0601-12)

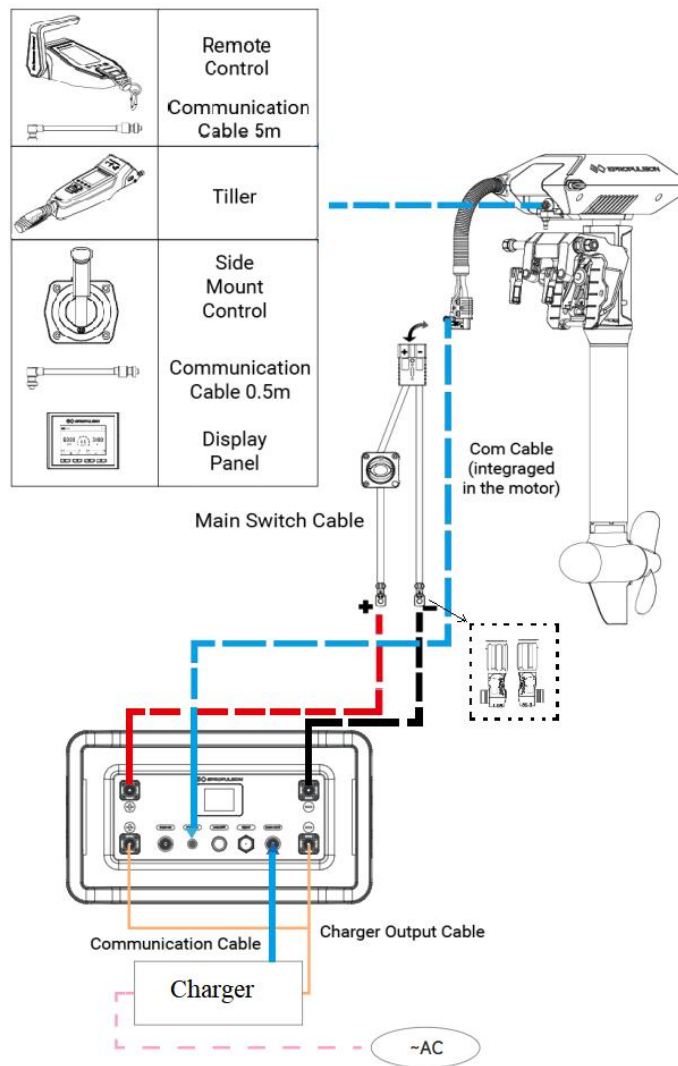
Evo remote control/Evo tiller/Side mount control(1 pcs)(Product No.: NE-RC00-00/NE-TC00-00/NE-SM00-00)

Charger (1pcs)(Product No.:EC-0030-21(30A)/EC-0020-12(20A))(including Charger output cable(2pcs, new and old version), charger communication cable(2pcs, new and old version) and Charger AC Input Cable (1pcs))

E battery communication cable (1 pcs) (Item number: 00-0601-10)

Communication Cable 5m(1 pcs)(Product No.:00-0601-01)(no need for Evo tiller, used for Evo remote control/Side mount control)

NAVY 3.0 Evo single motor+single battery+Evo remote control/Evo tiller/Side mount control+E battery charger



Standard:

Navy 3.0 Evo Motor (1 pcs)(including Main switch cable)

Purchase separately:

E series battery (1 pcs)

E Battery Power Cable Connector (1 set)(Product No.:EB-CP05-00)(1 set consists of two connectors, the positive terminal and the negative terminal, provide for free.)

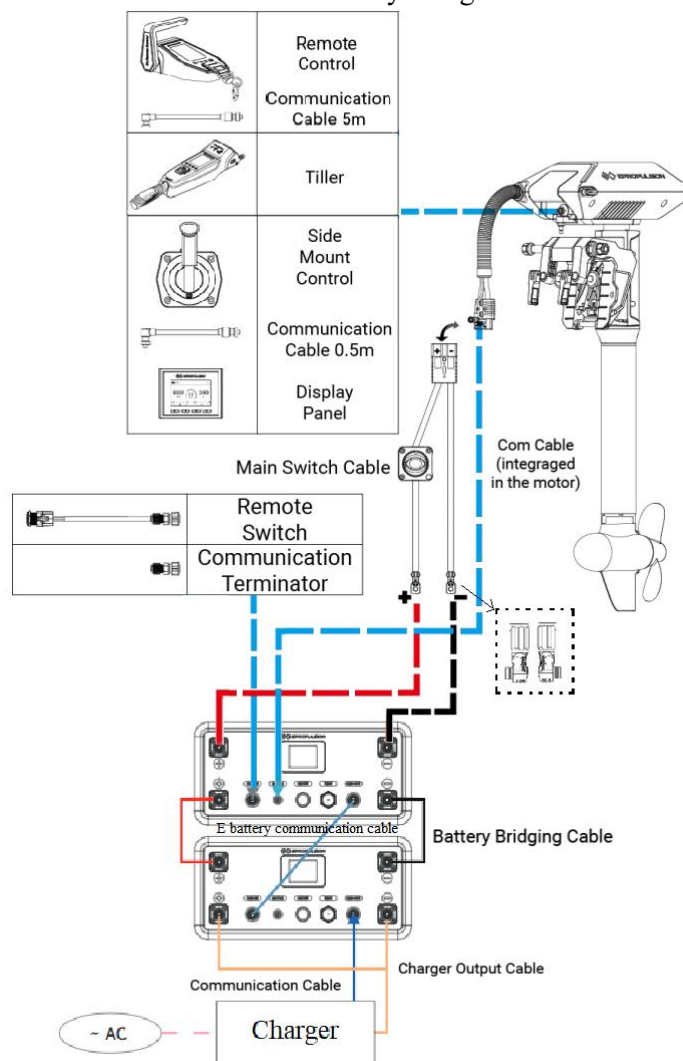
Evo remote control/Evo tiller/Side mount control(1 pcs)(Product No.: NE-RC00-00/NE-TC00-00/NE-SM00-00)

Charger (1pcs)(Product No.:EC-0030-21(30A)/EC-0020-12(20A))(including Charger output cable(2pcs, new and old version), charger communication cable(2pcs, new and old version) and Charger AC Input Cable (1pcs))

E battery communication cable (1 pcs) (Item number: 00-0601-10)

Communication Cable 5m(1 pcs)(Product No.:00-0601-01)(no need for Evo tiller, used for Evo remote control/Side mount control)

NAVY 3.0 Evo single motor+two batteries ( Remote switch/Communication terminator)  
 +Evo remote control/Evo tiller/Side mount control+E battery charger



Standard:

Navy 3.0 Evo Motor (1 pcs)(including Main switch cable)

Purchase separately:

E series battery (2 pcs)

E Battery Power Cable Connector (1 set)(Product No.:EB-CP05-00)(1 set consists of two connectors, the positive terminal and the negative terminal, provide for free.)

Evo remote control/Evo tiller/Side mount control(1 pcs) (Product No.: NE-RC00-00/NE-TC00-00/NE-SM00-00)

Charger (1pcs)(Product No.:EC-0030-21(30A)/EC-0020-12(20A))(including Charger output cable(2pcs, new and old version), charger communication cable(2pcs, new and old version) and Charger AC Input Cable (1pcs))

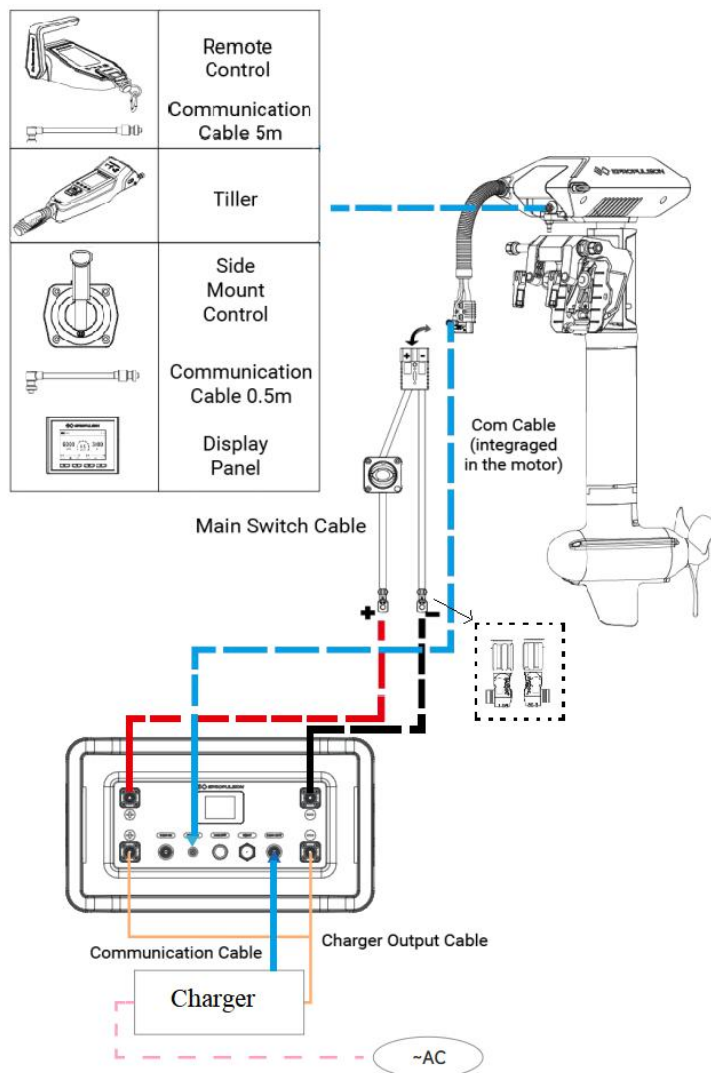
Communication Terminator/Remote Switch (1pcs)(Product No.:EB-AC01-01/EB-AC02-01)

Battery Communication Cable (1 pcs)(Product No.:EB-CP06-00(0.5m)/EB-CP07-00(1.5m)/EB-CP08-00(5m))

Battery Bridging Cable (1 set)(1 set consists of two cables, the positive terminal and the negative terminal)(Product No.:EB-CP09-00(0.15m)/EB-CP01-00(0.45m)/EB-CP02-00(1.5m)/EB-CP03-00(5m))

Communication Cable 5m(1 pcs)(Product No.:00-0601-01)(no need for Evo tiller, used for Evo remote control/Side mount control)

NAVY 6.0 Evo single motor+single battery+Evo remote control/Evo tiller/Side mount control+E battery charger



Standard:

Navy 6.0 Evo Motor (1 pcs)(including Main switch cable)

Purchase separately:

E series battery (1 pcs)

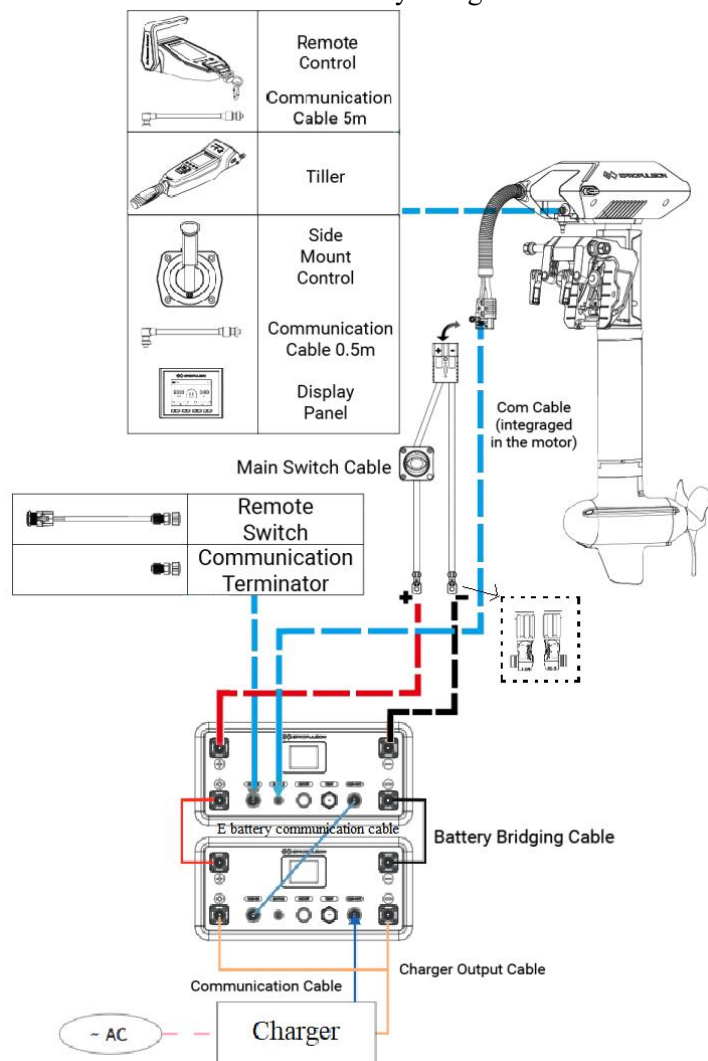
E Battery Power Cable Connector (1 set)(Product No.:EB-CP05-00)(1 set consists of two connectors, the positive terminal and the negative terminal, provide for free.)

Evo remote control/Evo tiller/Side mount control(1 pcs)(Product No.: NE-RC00-00/NE-TC00-00/NE-SM00-00)

Charger (1pcs)(Product No.:EC-0030-21(30A)/EC-0020-12(20A))(including Charger output cable(2pcs, new and old version), charger communication cable(2pcs, new and old version) and Charger AC Input Cable (1pcs))

Communication Cable 5m(1 pcs)(Product No.:00-0601-01)(no need for Evo tiller, used for Evo remote control/Side mount control)

NAVY 6.0 Evo single motor+two batteries ( Remote switch/Communication terminator)  
 +Evo remote control/Evo tiller/Side mount control+E battery charger



Standard:

Navy 6.0 Evo Motor (1 pcs)(including Main switch cable)

Purchase separately:

E series battery (2 pcs)

E Battery Power Cable Connector (1 set)(Product No.:EB-CP05-00)(1 set consists of two connectors, the positive terminal and the negative terminal, provide for free.)

Evo remote control/Evo tiller/Side mount control(1 pcs) (Product No.: NE-RC00-00/NE-TC00-00/NE-SM00-00)

Charger (1pcs)(Product No.:EC-0030-21(30A)/EC-0020-12(20A))(including Charger output cable(2pcs, new and old version), charger communication cable(2pcs, new and old version) and Charger AC Input Cable (1pcs))

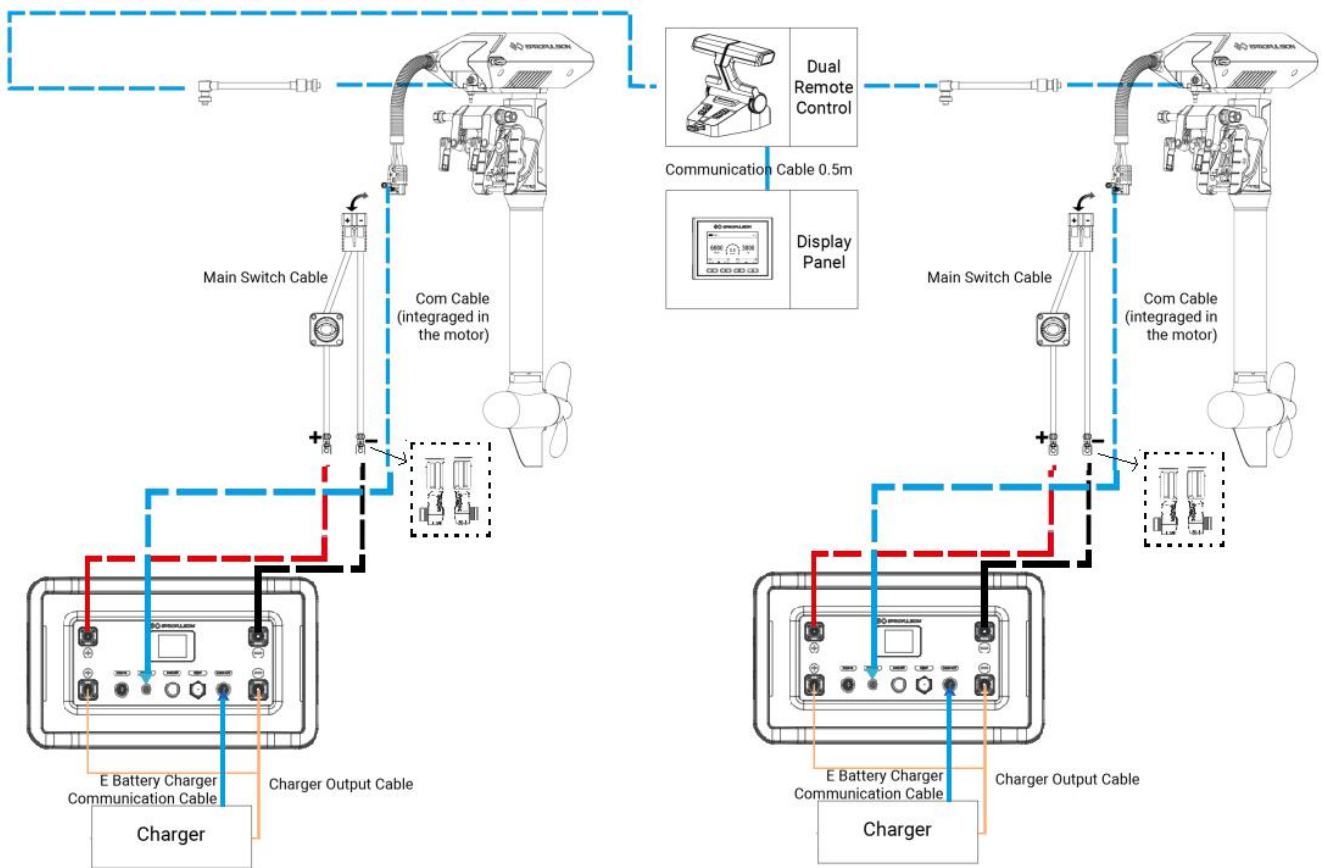
Communication Terminator/Remote Switch (1pcs)(Product No.:EB-AC01-01/EB-AC02-01)

Battery Bridging Cable (1 set)(1 set consists of two cables, the positive terminal and the negative terminal)(Product No.:EB-CP09-00(0.15m)/EB-CP01-00(0.45m)/EB-CP02-00(1.5m)/EB-CP03-00(5m))

Battery Communication Cable (1 pcs)(Product No.:EB-CP06-00(0.5m)/EB-CP07-00(1.5m)/EB-CP08-00(5m))

Communication Cable 5m(1 pcs)(Product No.:00-0601-01)(no need for Evo tiller, used for Evo remote control/Side mount control)

NAVY 3.0 Evo two motor+battery for each one+ Evo dual remote control +E battery charger



Standard:

NAVY 3.0 Evo Motor (2 pcs)(including Main switch cable)

Purchase separately:

E series battery (2 pcs)

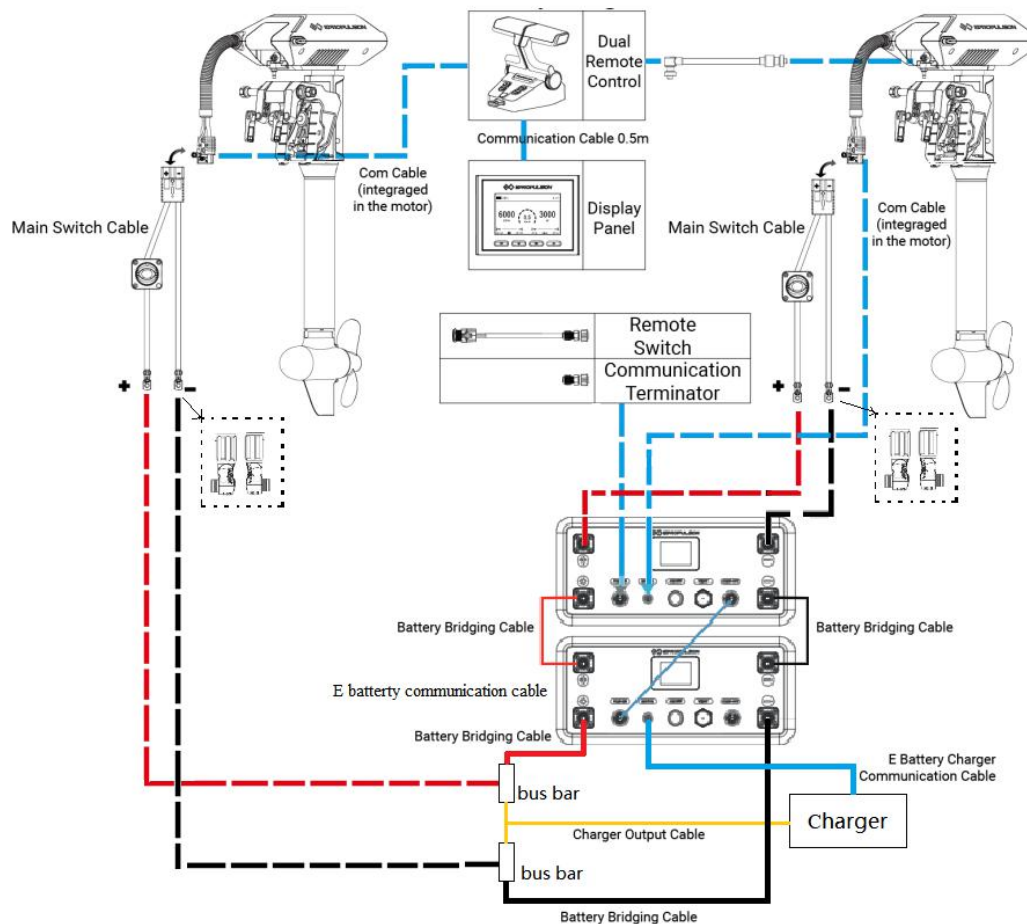
E Battery Power Cable Connector (2 set)(Product No.:EB-CP05-00)(1 set consists of two connectors, the positive terminal and the negative terminal, provide for free.)

Evo dual remote control(1 pcs)(Product No.: NE-DR00-00)(including Communication cable 0.5m and Display panel)

Charger (2pcs)(Product No.:EC-0030-21(30A)/EC-0020-12(20A))(including Charger output cable(2pcs, new and old version), charger communication cable(2pcs, new and old version) and Charger AC Input Cable (1pcs))

Communication Cable 5m(2 pcs)(Product No.:00-0601-01)

NAVY 3.0 Evo two motor +two batteries in parallel (Remote switch/Communication terminator) + Evo dual remote control + E battery charger



Standard:

NAVY 3.0 Evo Motor (2 pcs)(including Main switch cable)

Purchase separately:

E series battery (2 pcs)

Evo dual remote control(1 pcs)(Product No.: NE-DR00-00)(including Communication cable 0.5m and Display panel)

Charger (1pcs)(Product No.:EC-0030-21(30A)/EC-0020-12(20A))(including Charger output cable(2pcs, new and old version), charger communication cable(2pcs, new and old version) and Charger AC Input Cable (1pcs))

Communication Terminator/Remote Switch (1pcs)(Product No.:EB-AC01-01/EB-AC02-01)

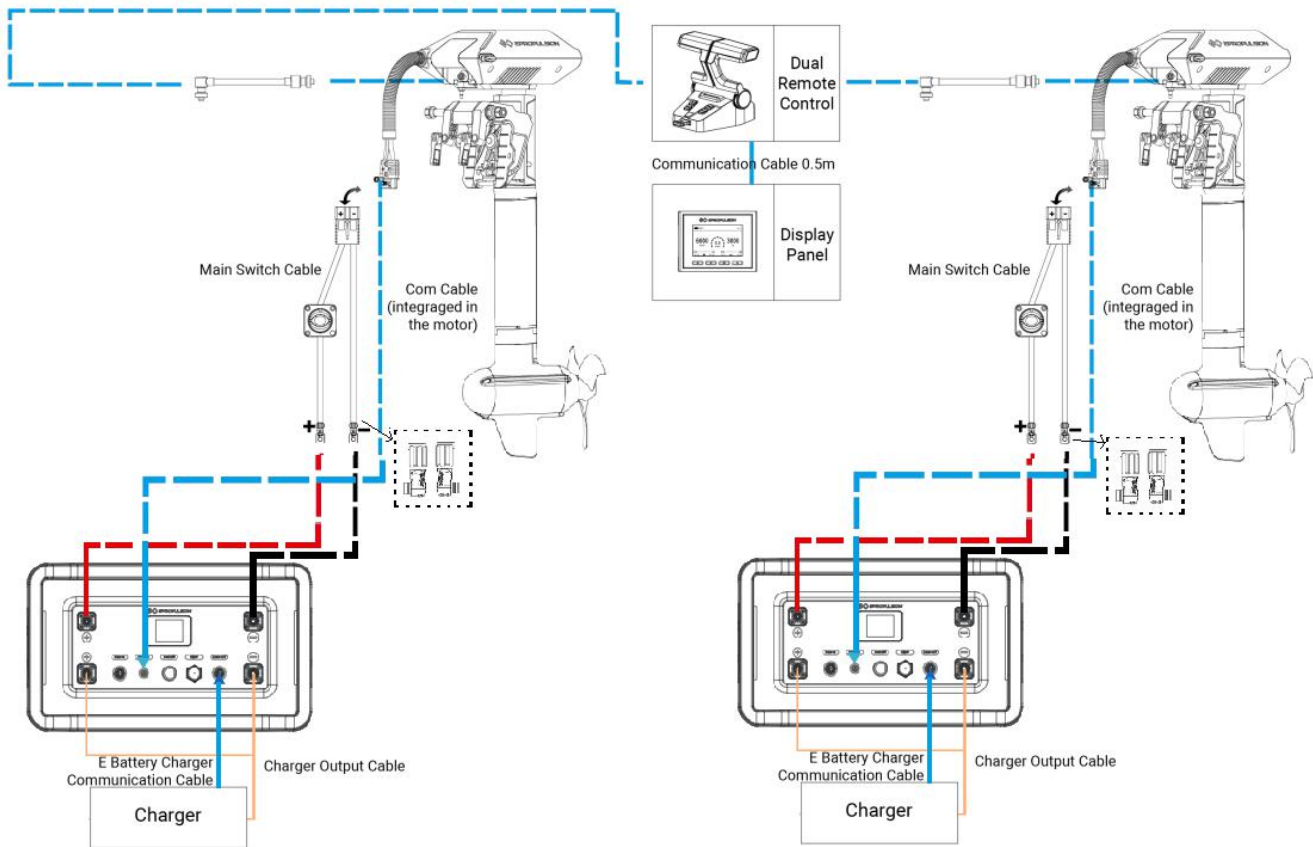
Battery Bridging Cable (2 set)(1 set consists of two cables, the positive terminal and the negative terminal)(Product No.:EB-CP09-00(0.15m)/EB-CP01-00(0.45m)/EB-CP02-00(1.5m)/EB-CP03-00(5m))

Battery Communication Cable (1 pcs)(Product No.:EB-CP06-00(0.5m)/EB-CP07-00(1.5m)/EB-CP08-00(5m))

Communication Cable 5m(1 pcs)(Product No.:00-0601-01)

Bus Bar(2 pcs)(Product No.:To be updated)

NAVY 6.0 Evo two motor+battery for each one+ Evo dual remote control +E battery charger



Standard:

NAVY 6.0 Evo Motor (2 pcs)(including Main switch cable)

Purchase separately:

E series battery (2 pcs)

E Battery Power Cable Connector (2 set)(Product No.:EB-CP05-00)(1 set consists of two connectors, the positive terminal and the negative terminal, provide for free.)

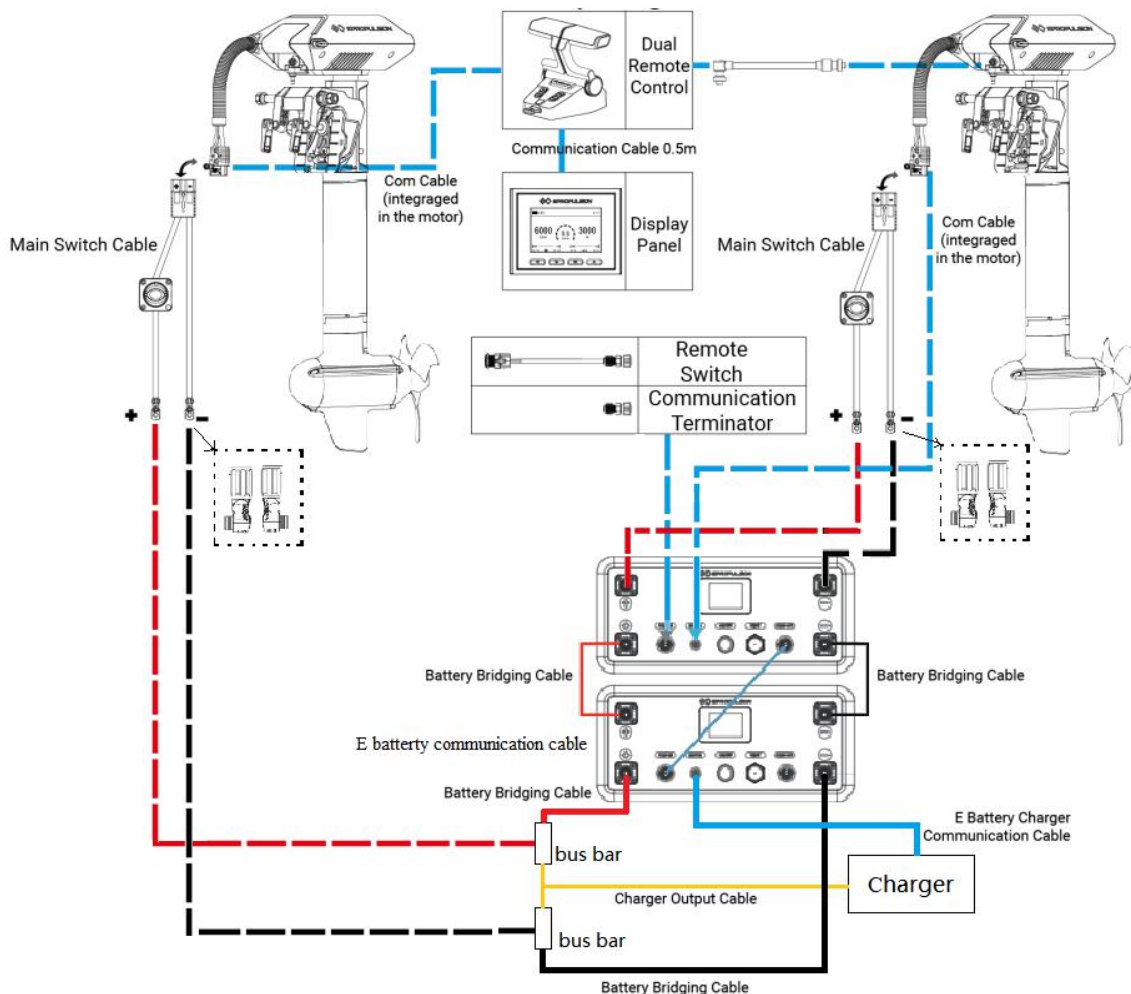
Evo dual remote control(1 pcs)(Product No.: NE-DR00-00)(including Communication cable 0.5m and Display panel)

Charger (2pcs)(Product No.:EC-0030-21(30A)/EC-0020-12(20A))(including Charger output cable(2pcs, new and old version), charger communication cable(2pcs, new and old version) and Charger AC Input Cable (1pcs))

Communication Cable 5m(2 pcs)(Product No.:00-0601-01)



NAVY 6.0 Evo two motor +two batteries in parallel (Remote switch/Communication terminator) + Evo dual remote control + E battery charger



Standard:

NAVY 6.0 Evo Motor (2 pcs)(including Main switch cable)

Purchase separately:

E series battery (2 pcs)

E Battery Power Cable Connector (2 set)(Product No.:EB-CP05-00)(1 set consists of two connectors, the positive terminal and the negative terminal)

Evo dual remote control(1 pcs)(Product No.: NE-DR00-00)(including Communication cable 0.5m and Display panel)

Charger (1pcs)(Product No.:EC-0030-21(30A)/EC-0020-12(20A))(including Charger output cable(2pcs, new and old version), charger communication cable(2pcs, new and old version) and Charger AC Input Cable (1pcs))

Communication Terminator/Remote Switch (1pcs)(Product No.:EB-AC01-01/EB-AC02-01)

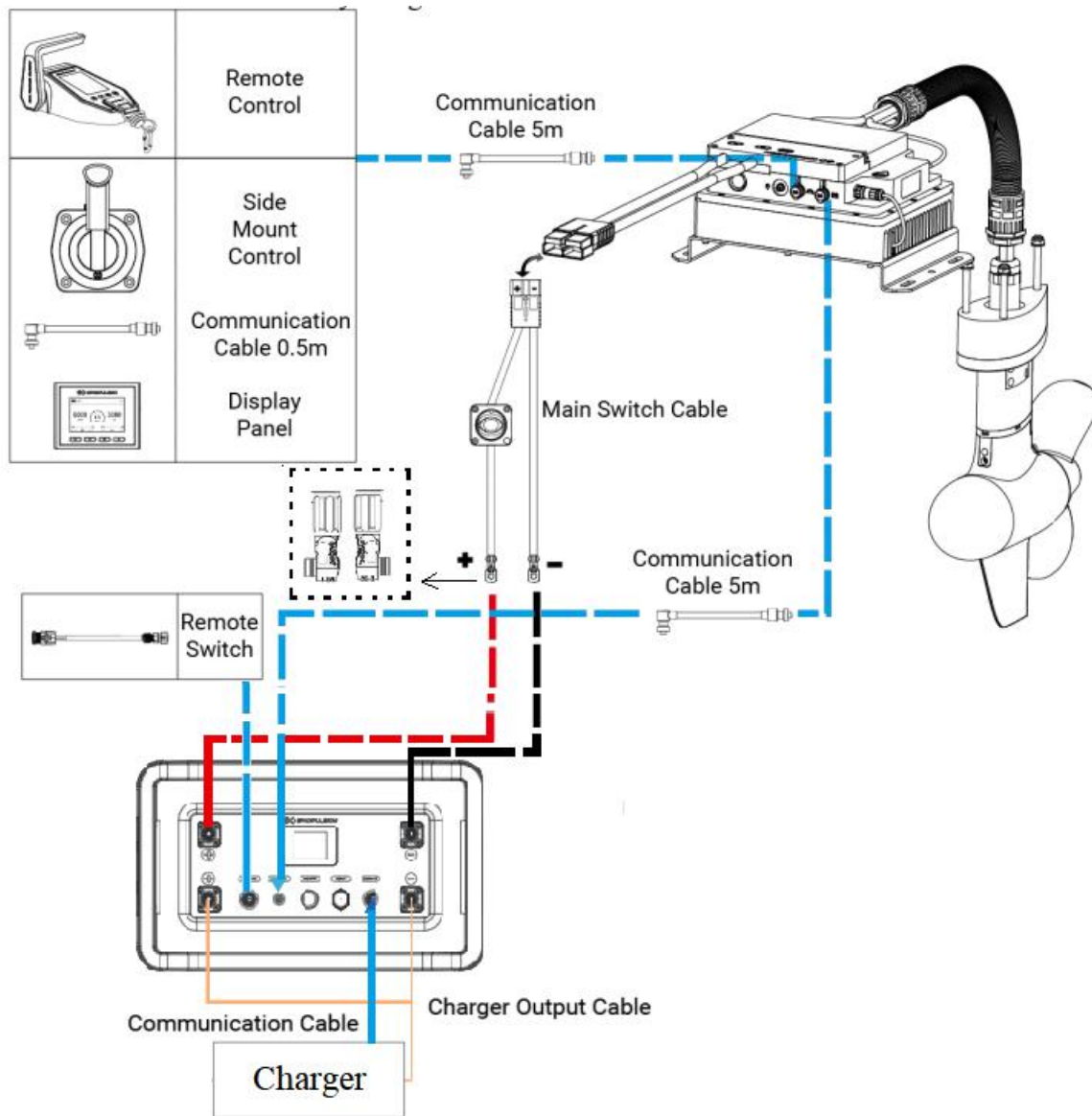
Battery Bridging Cable (2 set)(1 set consists of two cables, the positive terminal and the negative terminal)(Product No.:EB-CP09-00(0.15m)/EB-CP01-00(0.45m)/EB-CP02-00(1.5m)/EB-CP03-00(5m))

Battery Communication Cable (1 pcs)(Product No.:EB-CP06-00(0.5m)/EB-CP07-00(1.5m)/EB-CP08-00(5m))

Communication Cable 5m(1 pcs)(Product No.:00-0601-01)

Bus Bar(2 pcs)(Product No.:To be updated)

Pod drive 3.0 Evo single motor + single battery (Remote switch) + Evo remote control/Evo side mount control + E battery charger



Standard:

Pod drive 3.0 Evo Motor (1 pcs)(including Main switch cable)

Purchase separately:

E series battery (1 pcs)

E Battery Power Cable Connector (1 set)(Product No.:EB-CP05-00)(1 set consists of two connectors, the positive terminal and the negative terminal, provide for free.)

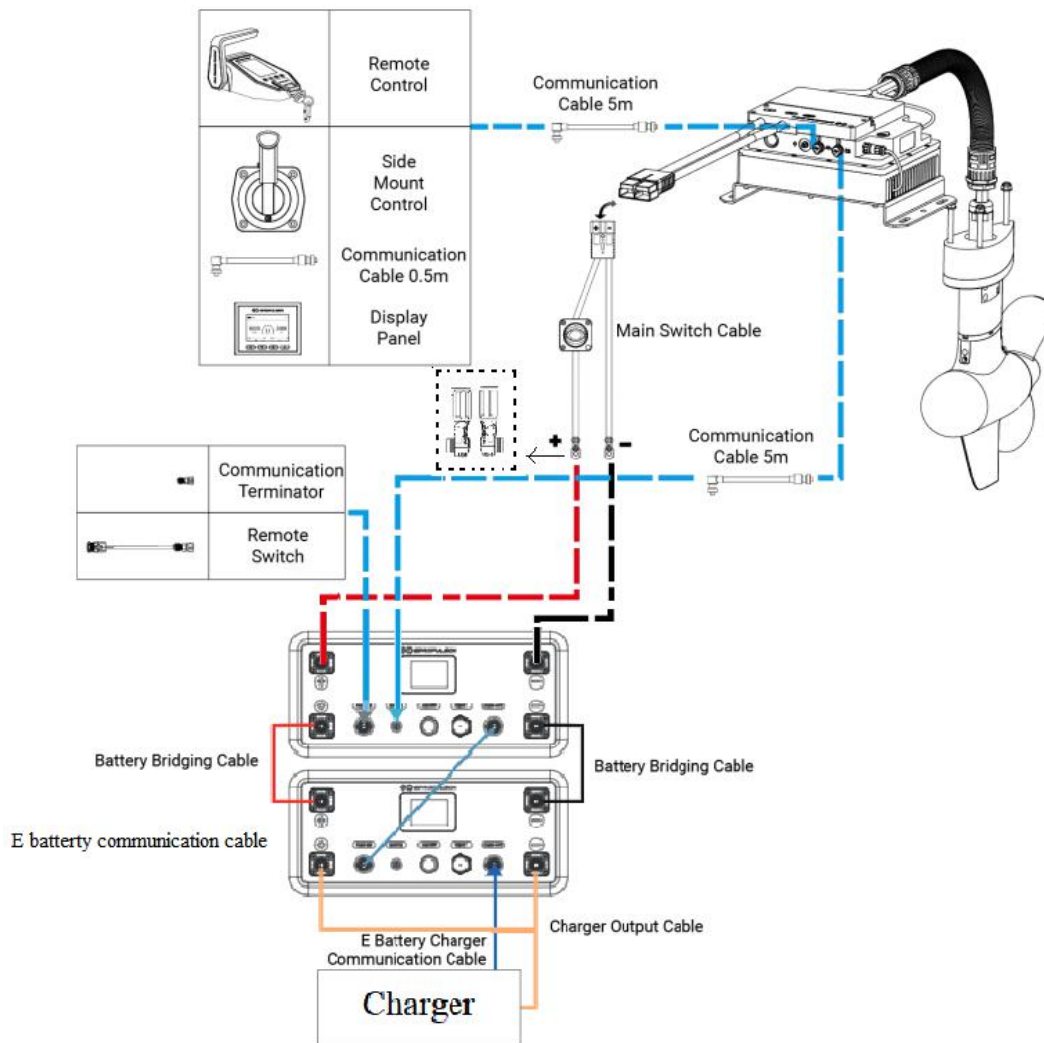
Evo remote control/Side mount control(including Communication cable 0.5m and Display panel)(1 pcs) (Product No.: NE-RC00-00/NE-SM00-00)

Charger (1pcs)(Product No.:EC-0030-21(30A)/EC-0020-12(20A))(including Charger output cable(2pcs, new and old version), charger communication cable(2pcs, new and old version) and Charger AC Input Cable (1pcs))

Remote Switch (1pcs)(Product No.:EB-AC02-01)

Communication Cable 5m(1 pcs)(Product No.:00-0601-01)

Pod drive 3.0 Evo single motor+two batteries (Communication terminator/Remote switch)  
 +Evo remote control/Evo side mount control +E battery charger



Standard:

Pod drive 3.0 Evo Motor (1 pcs)(including Main switch cable)

Purchase separately:

E series battery (2 pcs)

E Battery Power Cable Connector (1 set)(Product No.:EB-CP05-00)(1 set consists of two connectors, the positive terminal and the negative terminal, provide for free.)

Evo remote control/Side mount control(including Communication cable 0.5m and Display panel)(1 pcs) (Product No.: NE-RC00-00/NE-SM00-00)

Charger (1pcs)(Product No.:EC-0030-21(30A)/EC-0020-12(20A))(including Charger output cable(2pcs, new and old version), charger communication cable(2pcs, new and old version) and Charger AC Input Cable (1pcs))

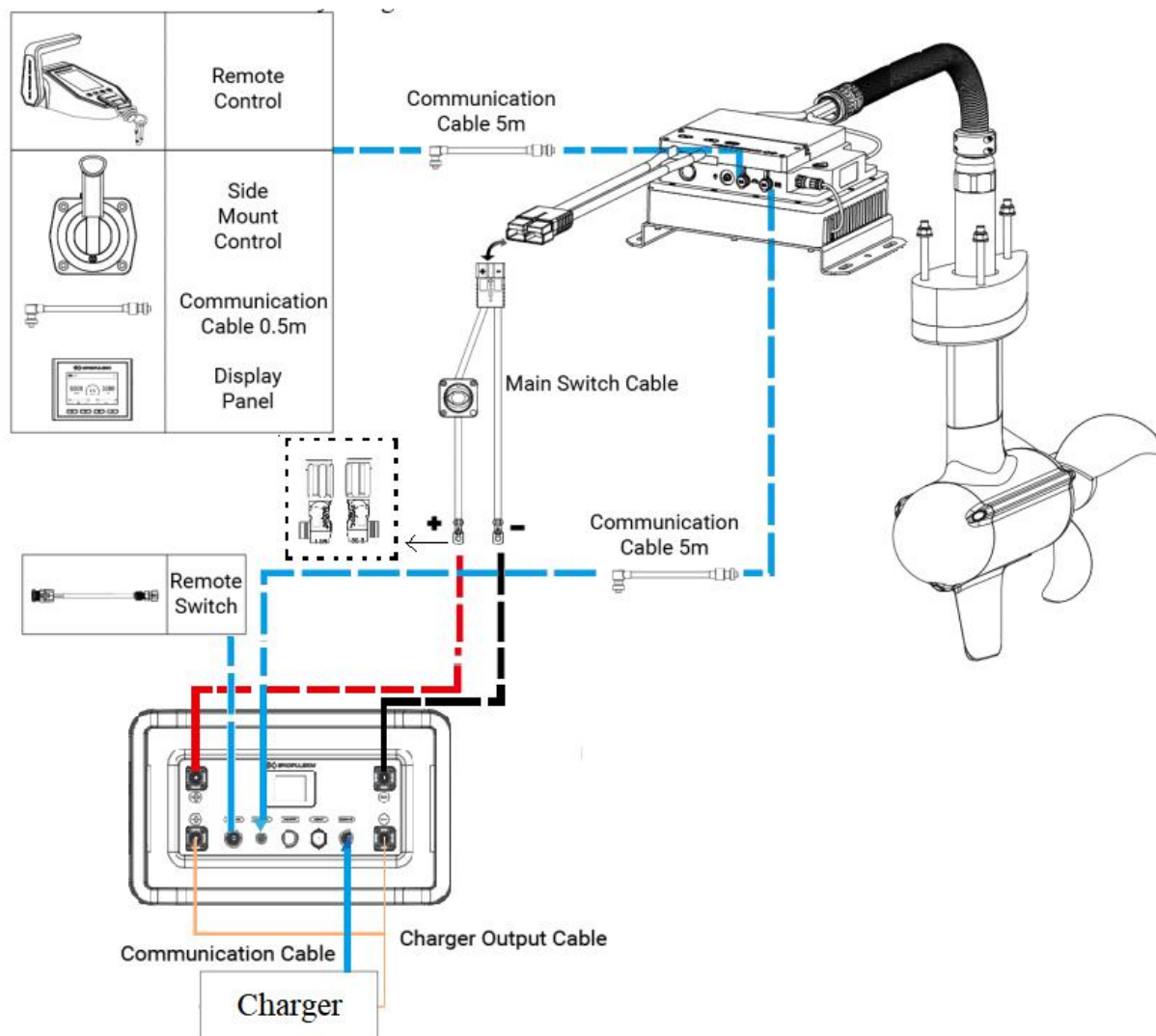
Communication Terminator/Remote Switch (1pcs)(Product No.:EB-AC01-01/EB-AC02-01)

Battery Bridging Cable (1 set)(1 set consists of two cables, the positive terminal and the negative terminal) (Product No.:EB-CP09-00(0.15m)/EB-CP01-00(0.45m)/EB-CP02-00(1.5m)/EB-CP03-00(5m))

Battery Communication Cable (1 pcs)(Product No.:EB-CP06-00(0.5m)/EB-CP07-00(1.5m)/EB-CP08-00(5m))

Communication Cable 5m(1 pcs)(Product No.:00-0601-01)

Pod drive 6.0 Evo single motor+single battery (Remote switch) + Evo remote control/Evo side mount control +E battery charger



Standard:

Pod drive 6.0 Evo Motor (1 pcs)(including Main switch cable)

Purchase separately:

E series battery (1 pcs)

E Battery Power Cable Connector (1 set)(Product No.:EB-CP05-00)(1 set consists of two connectors, the positive terminal and the negative terminal, provide for free.)

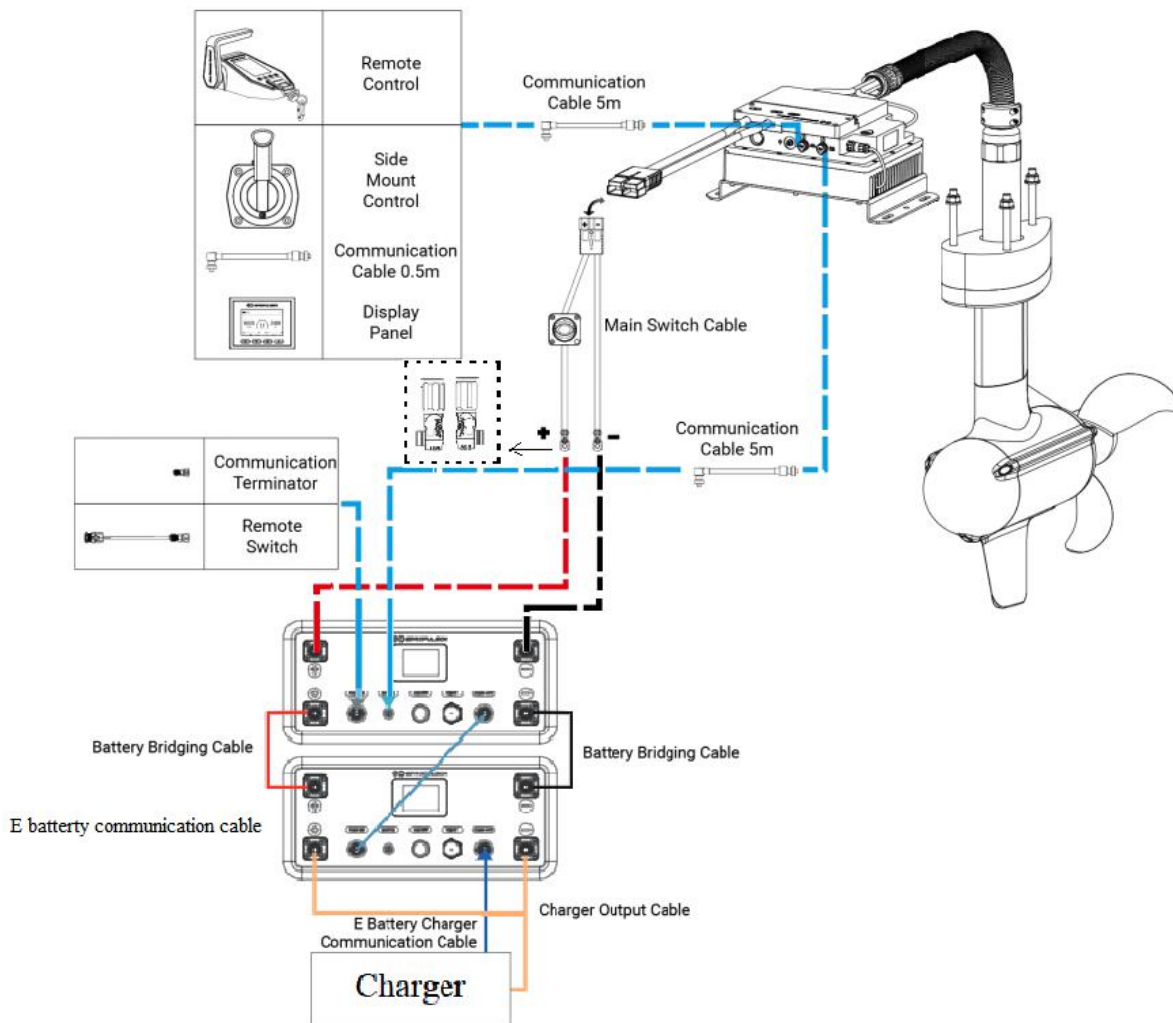
Evo remote control/Side mount control(including Communication cable 0.5m and Display panel)(1 pcs) (Product No.: NE-RC00-00/NE-SM00-00)

Charger (1pcs)(Product No.:EC-0030-21(30A)/EC-0020-12(20A))(including Charger output cable(2pcs, new and old version), charger communication cable(2pcs, new and old version) and Charger AC Input Cable (1pcs))

Remote Switch (1pcs)(Product No.:EB-AC02-01)

Communication Cable 5m(1 pcs)(Product No.:00-0601-01)

Pod drive 6.0 Evo single motor+two batteries (Communication terminator/Remote switch)  
 +Evo remote control/Evo side mount control +E battery charger



Standard:

Pod drive 6.0 Evo Motor (1 pcs)(including Main switch cable)

Purchase separately:

E series battery (2 pcs)

E Battery Power Cable Connector (1 set)(Product No.:EB-CP05-00)(1 set consists of two connectors, the positive terminal and the negative terminal, provide for free.)

Evo remote control/Side mount control(including Communication cable 0.5m and Display panel)(1 pcs) (Product No.: NE-RC00-00/NE-SM00-00)

Charger (1pcs)(Product No.:EC-0030-21(30A)/EC-0020-12(20A))(including Charger output cable, charger communication cable and Charger AC Input Cable)

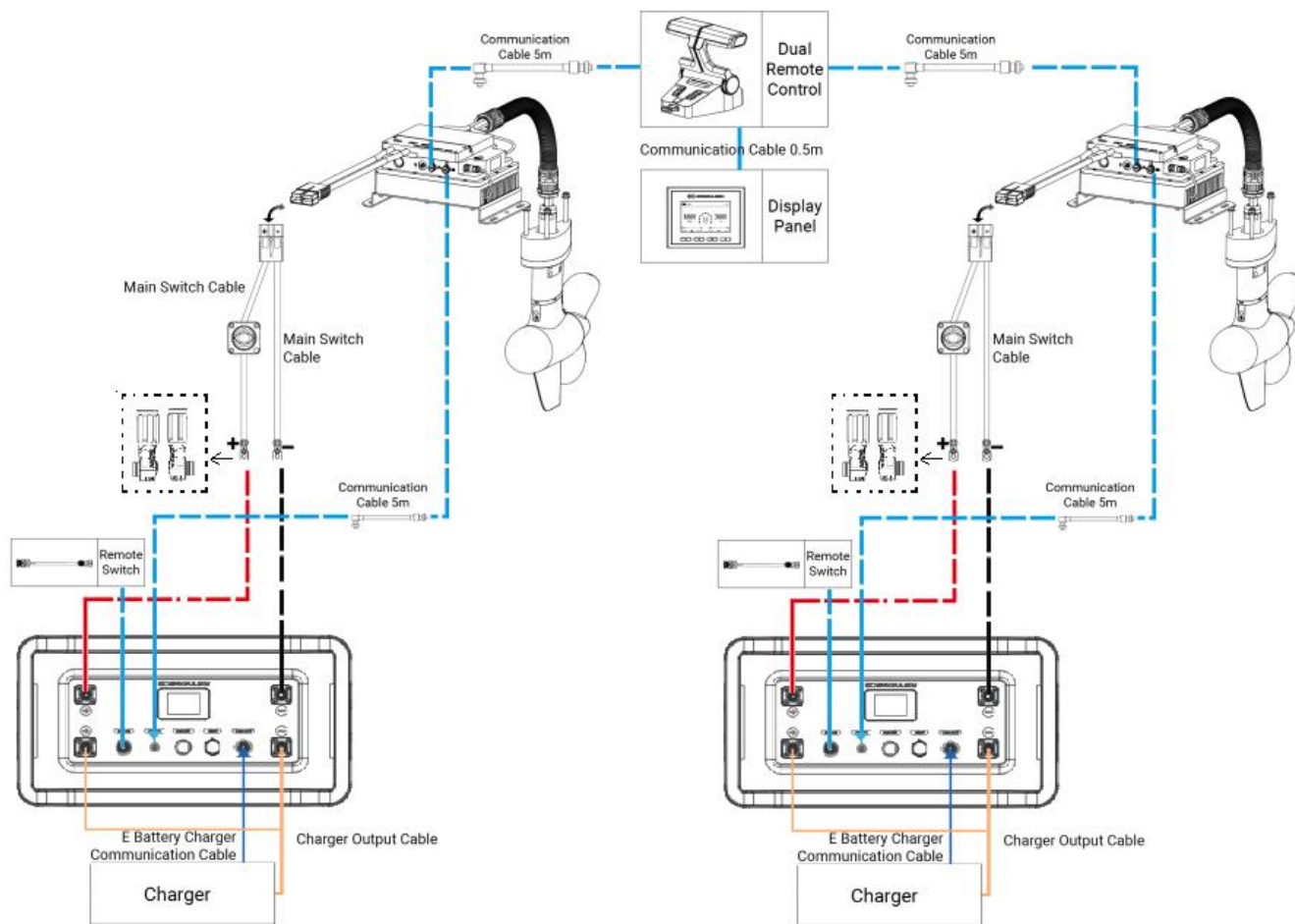
Communication Terminator/Remote Switch (1pcs)(Product No.:EB-AC01-01/EB-AC02-01)

Battery Bridging Cable (1 set)(1 set consists of two cables, the positive terminal and the negative terminal) (Product No.:EB-CP09-00(0.15m)/EB-CP01-00(0.45m)/EB-CP02-00(1.5m)/EB-CP03-00(5m))

Battery Communication Cable (1 pcs)Product No.:(EB-CP06-00(0.5m)/EB-CP07-00(1.5m)/EB-CP08-00(5m))

Communication Cable 5m(1 pcs)(Product No.:00-0601-01)

Pod drive 3.0 Evo two motor+battery for each one ( Remote switch ) + Dual remote control  
 +E battery charger



Standard:

Pod drive 3.0 Evo Motor (2 pcs)(including Main switch cable)

Purchase separately:

E series battery (2 pcs)

E Battery Power Cable Connector (2 set)(Product No.:EB-CP05-00)(1 set consists of two connectors, the positive terminal and the negative terminal, provide for free.)

Evo dual remote control(1 pcs)(Product No.: NE-DR00-00)(including Communication cable 0.5m and Display panel)

Charger (2pcs)(Product No.:EC-0030-21(30A)/EC-0020-12(20A))(including Charger output cable, charger communication cable and Charger AC Input Cable)

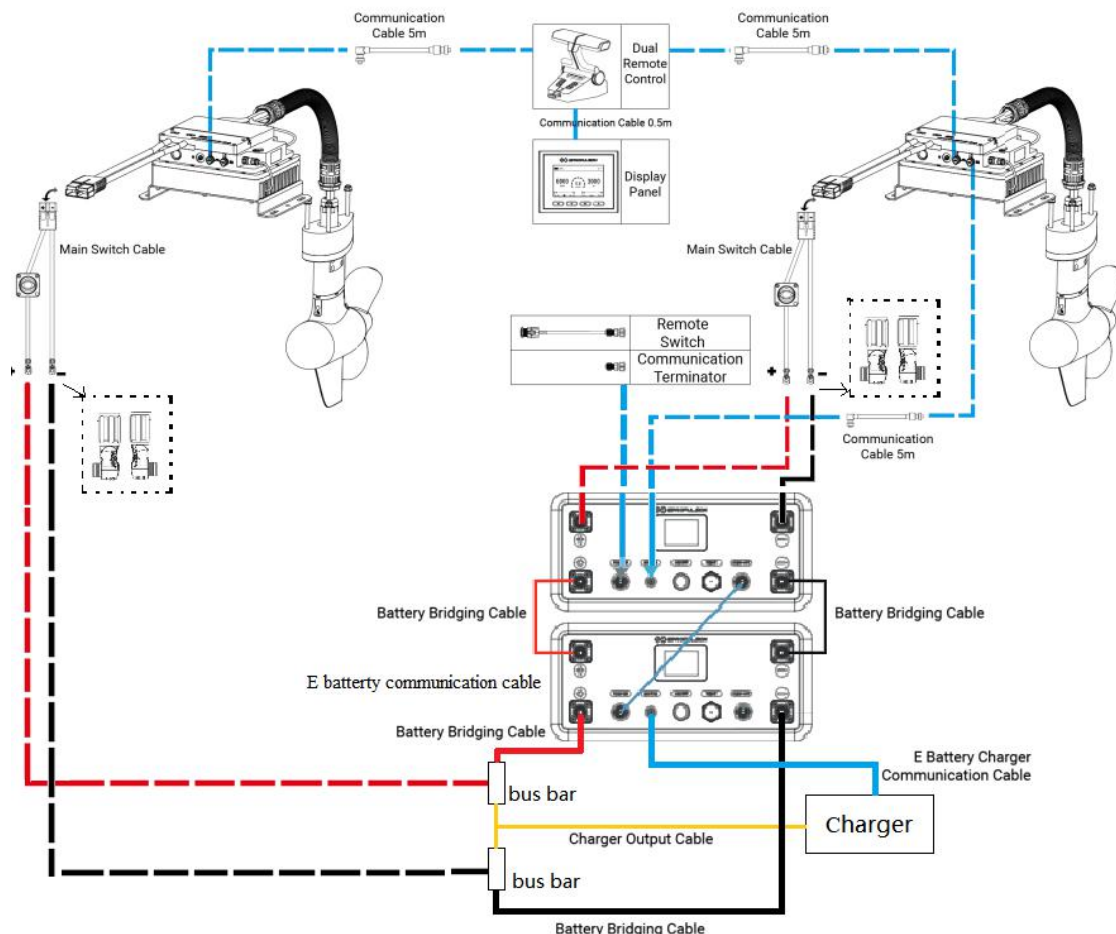
Remote Switch (2pcs)(Product No.:EB-AC02-01)

Communication Cable 5m(2 pcs)(Product No.:00-0601-01)

Pod drive 3.0 Evo two motor + two batteries in parallel ( Remote switch/Communication terminator) + Dual remote control + E battery charger

Standard:

Pod drive 3.0 Evo Motor (2 pcs)(including Main switch cable)



Purchase separately:

E series battery (2 pcs)

E Battery Power Cable Connector (2 set)(Product No.:EB-CP05-00)(1 set consists of two connectors, the positive terminal and the negative terminal, provide for free.)

Evo dual remote control(1 pcs)(Product No.: NE-DR00-00)(including Communication cable 0.5m and Display panel)

Charger (1pcs)(Product No.:EC-0030-21(30A)/EC-0020-12(20A))(including Charger output cable, charger communication cable and Charger AC Input Cable)

Communication Terminator/Remote Switch (1pcs)(Product No.:EB-AC01-01/EB-AC02-01)

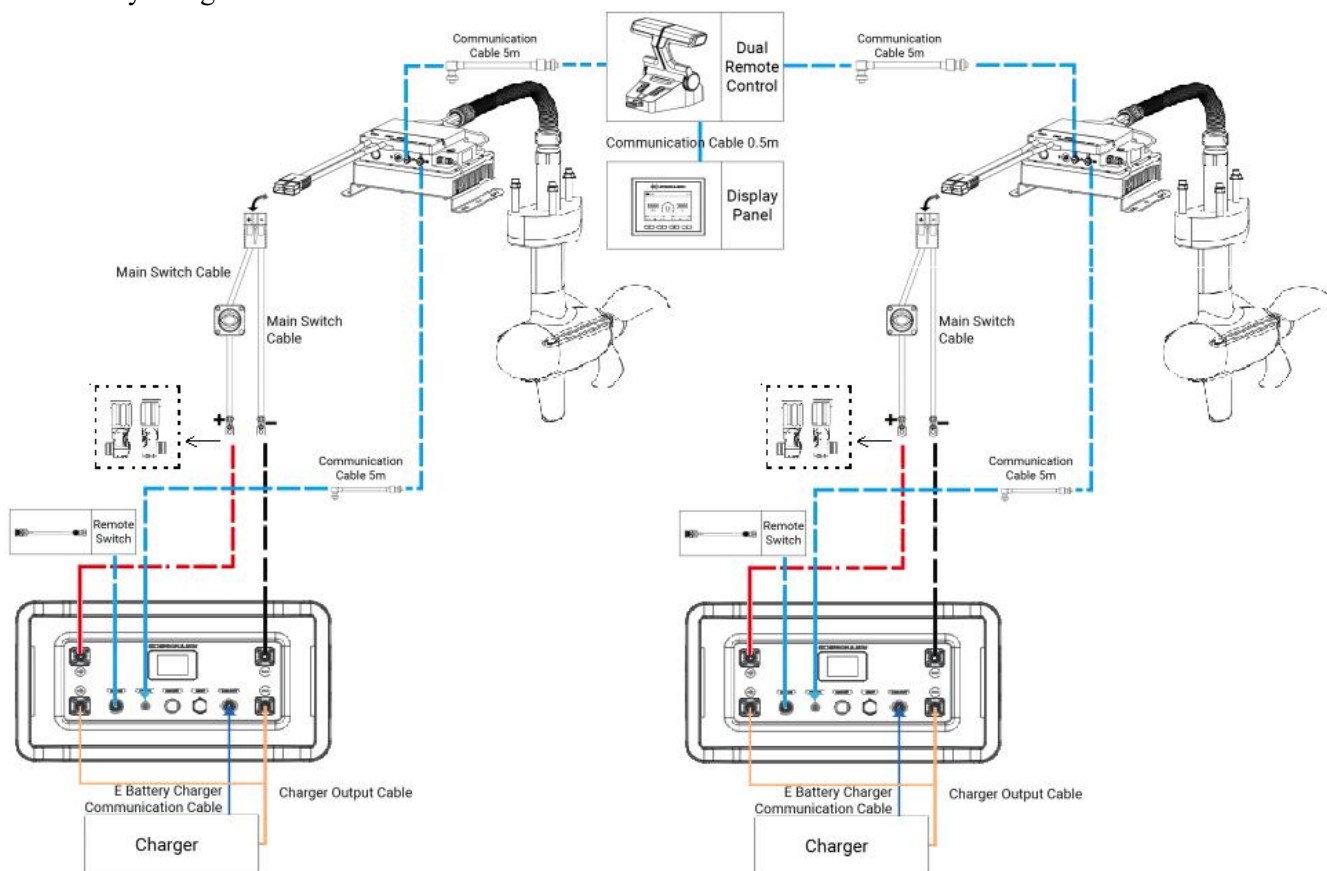
Battery Bridging Cable (2 set)(1 set consists of two cables, the positive terminal and the negative terminal) (Product No.:EB-CP09-00(0.15m)/EB-CP01-00(0.45m)/EB-CP02-00(1.5m)/EB-CP03-00(5m))

Battery Communication Cable (1 pcs)(Product No.:EB-CP06-00(0.5m)/EB-CP07-00(1.5m)/EB-CP08-00(5m))

Communication Cable 5m(1 pcs)(Product No.:00-0601-01)

Bus Bar(2 pcs)(Product No.:To be updated)

Pod drive 6.0 Evo two motor+battery for each one ( Remote switch ) + Dual remote control  
 +E battery charger



Standard:

Pod drive 6.0 Evo Motor (2 pcs)(including Main switch cable)

Purchase separately:

E series battery (2 pcs)

E Battery Power Cable Connector (2 set)(Product No.:EB-CP05-00)(1 set consists of two connectors, the positive terminal and the negative terminal, provide for free.)

Evo dual remote control(1 pcs)(Product No.: NE-DR00-00)(including Communication cable 0.5m and Display panel)

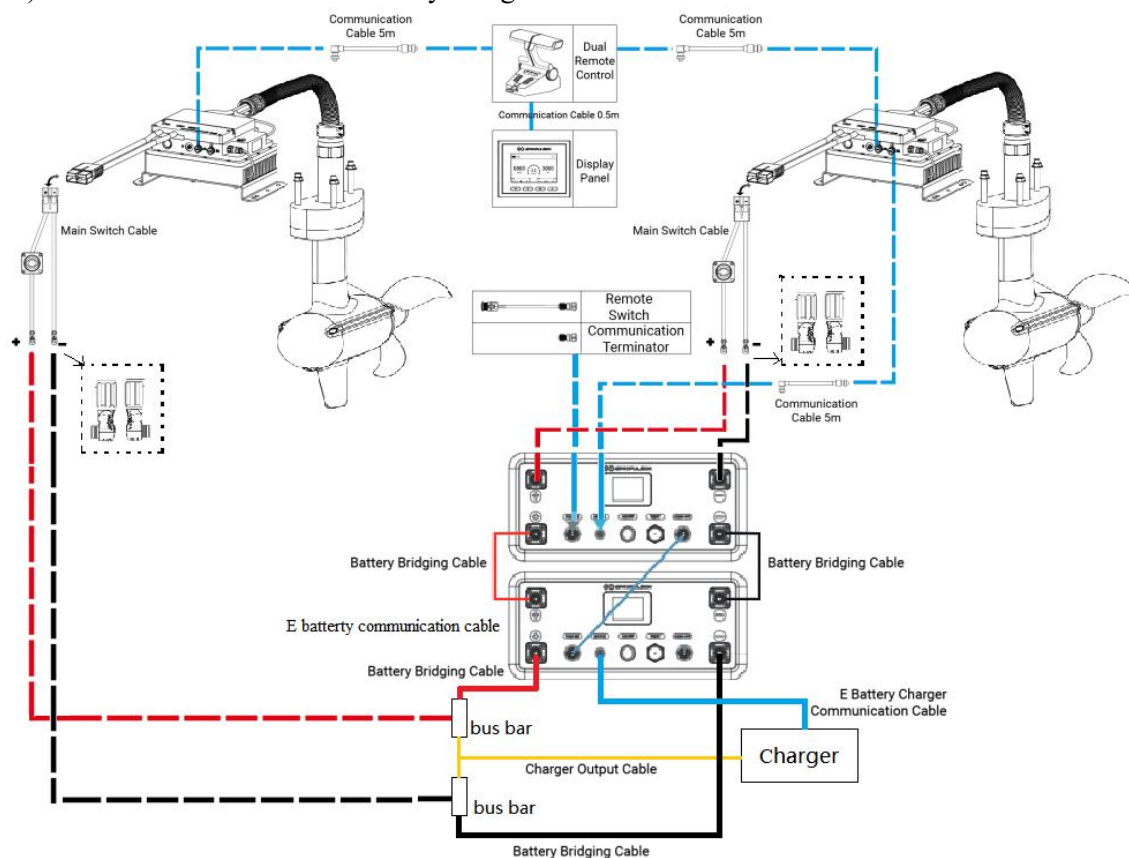
Charger (2pcs)(Product No.:EC-0030-21(30A)/EC-0020-12(20A))(including Charger output cable, charger communication cable and Charger AC Input Cable)

Remote Switch (2pcs)(Product No.:EB-AC02-01)

Communication Cable 5m(2 pcs)(Product No.:00-0601-01)



Pod drive 6.0 Evo two motor + two batteries in parallel (Remote switch/Communication terminator) + Dual remote control + E battery charger



Standard:

Pod drive 6.0 Evo Motor (2 pcs)(including Main switch cable)

Purchase separately:

E series battery (2 pcs)

E Battery Power Cable Connector (2 set)(Product No.:EB-CP05-00)(1 set consists of two connectors, the positive terminal and the negative terminal, provide for free.)

Evo dual remote control(1 pcs)(Product No.: NE-DR00-00)(including Communication cable 0.5m and Display panel)

Charger (1pcs)(Product No.:EC-0030-21(30A)/EC-0020-12(20A))(including Charger output cable, charger communication cable and Charger AC Input Cable)

Communication Terminator/Remote Switch (1pcs)(Product No.:EB-AC01-01/EB-AC02-01)

Battery Bridging Cable (2 set)(1 set consists of two cables, the positive terminal and the negative terminal) (Product No.:EB-CP09-00(0.15m)/EB-CP01-00(0.45m)/EB-CP02-00(1.5m)/EB-CP03-00(5m))

Battery Communication Cable (1 pcs)(Product No.:EB-CP06-00(0.5m)/EB-CP07-00(1.5m)/EB-CP08-00(5m))

Communication Cable 5m(1 pcs)(Product No.:00-0601-01)

Bus Bar(2 pcs)(Product No.:To be updated)