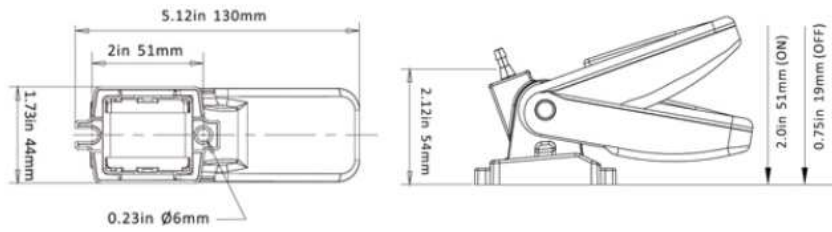


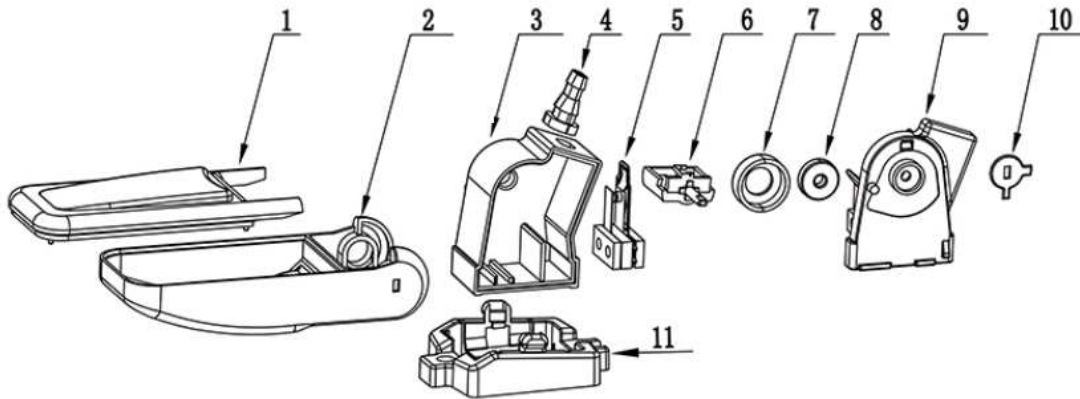
DIMENSIONS



STANDARD PUMP CONFIGURATIONS

Max Amps 12Volts	Max Amps 24Volts	Wire Lead	Wire Gauge Size	N.W. / G.W.
20 A	10 A	3'	18AWG	0.16/0.18 kg

DETAILED COMPOSITION



Key	Description	Quantity
1	Switch Housing,Top	1
2	Switch Housing,Bottom	1
3	Switch Cover, Left	1
4	Wire Buckle	1
5	Switch Assembly	1
6	Swing Bracket	1

Key	Description	Quantity
7	Seal cover	1
8	Seal	1
9	Switch Cover, Right	1
10	Iron Gasket	1
11	Baste Plate	1

SHIPPING INFORMATION

☒	Unit Pump Weight	0.22 lbs (0.10 kg)
	Selling Unit Size (L x W x H)	6.14"x 3.62" x 4.57" (15.6 x 9.2 x 11.6 cm)
	Selling Unit Weight	0.3 lbs (0.14 kg)
	Master Carton Size (L x W x H)	21.06"x 16.54"x 12.01" (53.5 x 42 x 30.5 cm)
	Master Carton Qty	48 pcs
	Master Carton Weight	18.52 lbs(8.4 kg)